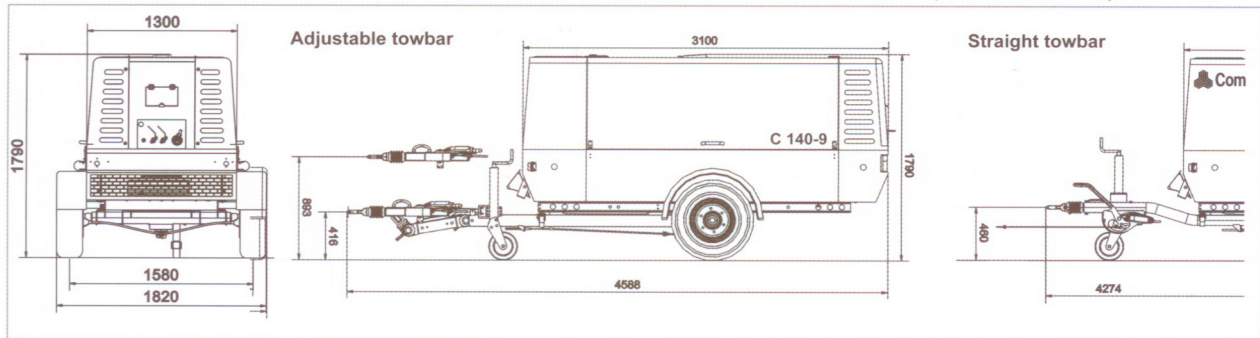


Intelligent Air Technology

C 105-14, C 115-12, C 140-9



Technical Data		Options		
Type	DLT 1303		<input type="checkbox"/> <b>Integrated aftercooler</b> with automatic condensate separation and with/without downstream compressed air re-heating.  <input type="checkbox"/> <b>Aftercooler together with ultra-fine filters</b> guarantees compressed air quality acc. to German standard ZTV-ING Teil 3, Abs. 4.  <input type="checkbox"/> <b>Hose reel with 20 m [66 ft] 3/4"-hose</b> offers material protection and comfortable transport.  <input type="checkbox"/> <b>Base mount</b> for mounting on trucks.  <input type="checkbox"/> <b>Skid mount</b> for stationary site installation.  <input type="checkbox"/> <b>Various chassis versions.</b>  <input type="checkbox"/> <b>Engine overspeed shutdown.</b>  <input type="checkbox"/> <b>Compressor oil temperature regulating valve</b> ensures safe operation of compressor at low ambient temperatures or extreme partial load.  <input type="checkbox"/> <b>Tool oiler</b> of 4.3 litres [1 gal] capacity  <input type="checkbox"/> <b>Exhaust spark arrestor</b> safe operation also in difficult areas like refineries etc.  <input type="checkbox"/> <b>Painting in customer's colour etc.</b>	
Trade name	C 105-14	C 115-12		C 140-9
<b>Operational data</b>				
Volume flow (m <sup>3</sup> /min) [cfm] <sup>1)</sup>	10.5 [372]	11.5 [406]		13.3 [460]
Operating pressure (bar) [psi g]	14 [204]	12 [175]		8.6 [125]
Operating pressure range (bar) [psi g]	5-14/12/9 [73-204/175/131]			
Oil capacity compressor (l) [gal]	25 [5.5]			
<b>Engine</b>				
Drive engine/Engine model	Cummins QSB 4.5			
Cooling system	water			
Installed engine power (kW) [bhp]	119 [155]			
Speed range (rpm)	2300			
Oil capacity engine (l) [gal]	12 [2.6]			
Fuel tank capacity (l) [gal]	220 [48.4]			
<b>Weights/Dimensions</b>				
Operating weight, braked, adjustable towbar (kg) [lb]	1995 [4400]			
braked, straight towbar (kg) [lb]	1940 [4277]			
Allowable total weight (kg) [lb]	2200 [4850]			
Length				
braked, adjustable towbar (mm) [in]	min 4380 [172] – max 4537 [178.7]			
braked, straight towbar (mm) [in]	4274 [168]			
Length of canopy (mm) [in]	3100 [122]			
Width (mm) [in]	1820 [71.6]			
Height (mm) [in]	1789 [70.4]			
Compressed air outlets	2 x 3/4" + 1 x 2"			
<b>Sound levels</b>				
Power sound level (dB(A)) acc. to 2000/14/EC <sup>2)</sup>	99			
Pressure sound level (dB(A)) acc. to PNEUROP at 7 m <sup>3)</sup>	70			
<sup>1)</sup> Acc. to ISO 1217 Ed. 3 1996 Annex D <sup>2)</sup> Legal limiting values of EC directive <sup>3)</sup> PN8NTC2.2				